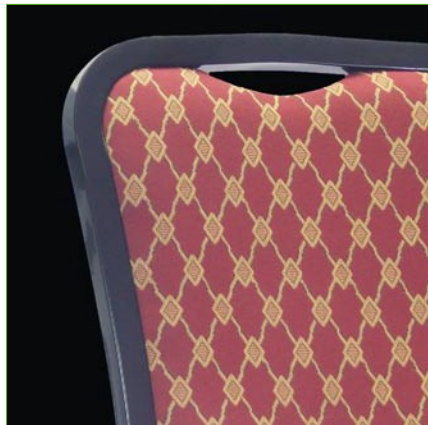
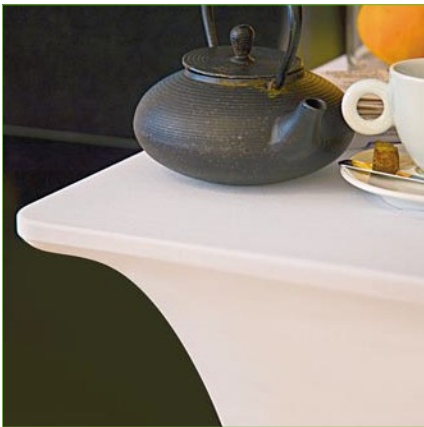


Portable Stage



Alu-Rapid provides a strong, flexible and robust stage with a quick and easy set up for multiple uses. The aluminium square legs are placed into the corner sockets and tightened with wing nuts using a 'T' socket system. The legs provide an adjustable height of between 20cm and 1m.



Alu-Rapid 2m x 1m stage sections



Alu-Rapid 1m x 1m stage sections

- Lightweight but extremely strong and sturdy
- Self levelling for maximum stability
- Variable in height
- Steps and ramps for easy access
- Safety chair bars and handrails
- Trolleys for ease of transport and storage



Transportation trolleys

20 sections can be stored on top of each other with the base having special transport wheels. Legs are then stored inside the top section.



Step units

Stage steps adapt incrementally to the height of the stage.
1m wide and finished with Black anti-slip plywood surface.
Optionally wooden step units are also available.



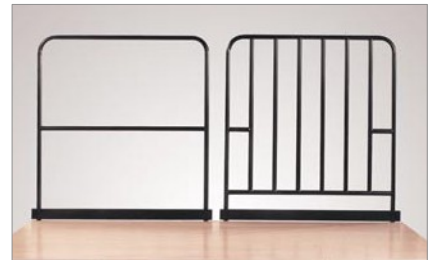
Chair safety bar

1m wide and utilising the connection channels for secure fixing.



Stage unit connectors

Connector strips ensure correct levelling and maximum stability.



Handrails

1m wide and available as standard or infilled.

Top surface options

Available in: ■ Black stained finish ■ Brown stained finish ■ Clear lacquered finish ■ Inlaid carpet finish



Stage edging

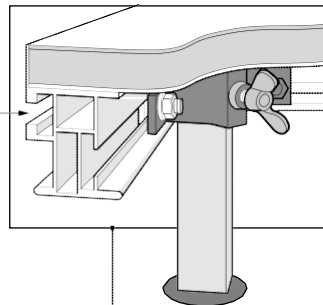
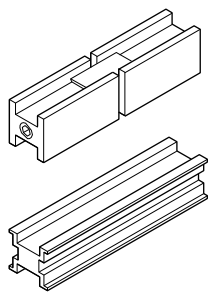
Available with skirting, carpet or stained to coordinate with top surf



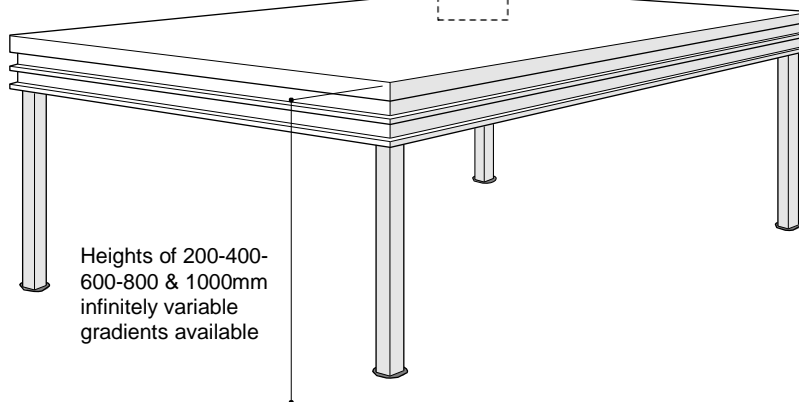
Platform options & extras

Style & Finish
Alu-Rapid with carpet
Alu-Rapid Stained Finish
Legs Sizes up to: (Per Set)
Up to 20cm
Up to 40cm
Up to 60cm
Up to 80cm
Up to 100cm
Telescopic Legs 40/60cm
Telescopic Legs 50/80cm
Extras
Clear Laquer for a 2m x 1m
Waterproof anti-slip finish
Castors / Alu-Rapid
Standard Steps per tread

Connectors for stability clamping and levelling multiple units of either type.



Fixed length legs are securely located in corner sockets and retained with wing nuts



Heights of 200-400-600-800 & 1000mm infinitely variable gradients available