



FURNITURE COLLECTION

## ROUND BANQUETING TABLES



## FOLDING ROUND BANQUET TABLES (ALU-LITE)

Folding round banquet tables with wipe clean laminate surfaces and folding aluminium legs

### Round Banquet Table Sizes

AFT90D	90 cm	3 ft	9.8 kg
AFT12D	120 cm	4 ft	12 kg
AFT15D	150 cm	5 ft	14.5 kg
AFT16D	160 cm	5 ft	16.5 kg
AFT18D	180 cm	6 ft	20 kg

### Key features:

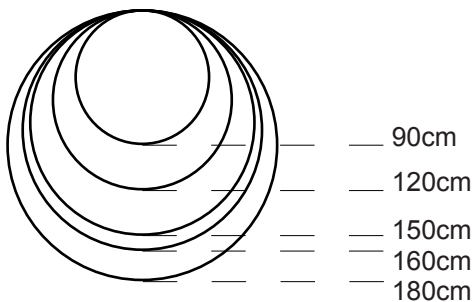
- Waterproof and durable laminate surface
- Aluminium frame is lightweight and recyclable
- Resistant to corrosion, ideal for outdoor use
- Self locking folding mechanism
- Alu-Lite tables conform to the EU guidelines for lifting weights

### Optional extras:

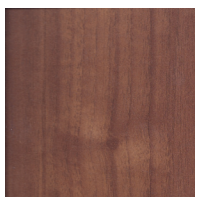
- Flock coating to reduce noise in busy venues
- Storage trolley

Standard height (for all Alu-Lite) = 73.5 cm

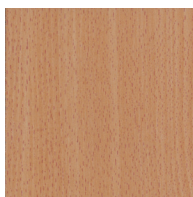
Special sizes available on request



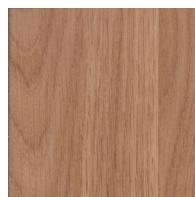
### Finishes:



Walnut



Beech



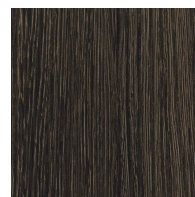
Oak



Sheffield



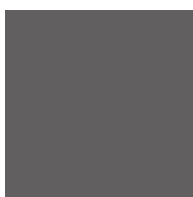
Ash



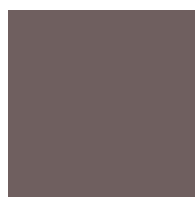
Wenge



Textured Nylon  
(Flocking)



Anthracite  
(Frame)



Matte Brown  
(Frame)



Silver Sparkle  
(Frame)



Black  
(Frame)



## HEAVY DUTY ROUND BANQUET TABLES - (FOLD-RITE)

Heavy duty round banquet tables with folding legs

### Round Banquet Table Sizes

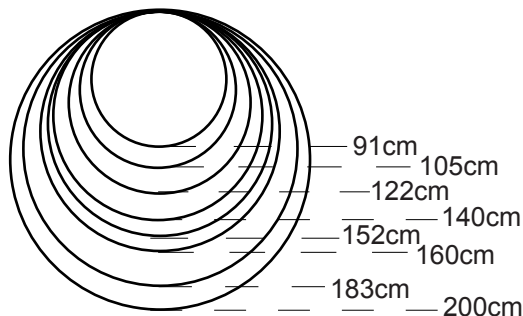
PC10	91 cm ø	16.2kg
PC11	105 cm ø	19kg
PC12	122 cm ø	24.3kg
PC13	140 cm ø	
PC14	152 cm ø	35.5kg
PC14A	160 cm ø	40kg
PC15	183 cm ø	45kg
PC16	200 cm ø	

### Key features:

- High density chipboard (MDF)
- Aluminium edge as standard
- Steel frames with powder coating finish
- Self locking folding mechanism

### Optional extras:

- 2.5mm PVC protective edging in plywood effect
- Flock coating to reduce noise in busy venues
- Table linking system
- Transport trolley



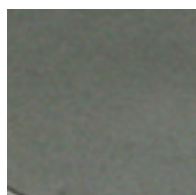
Special sizes available on request

Standard Heights = 72, 73.5, 76 cm

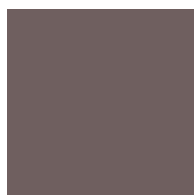
### Finishes:



High Density MDF (Sealed Wood)



Textured Nylon (Flocking)



Matt Brown (Frame)



Silver Sparkle (Frame)



Black (Frame)